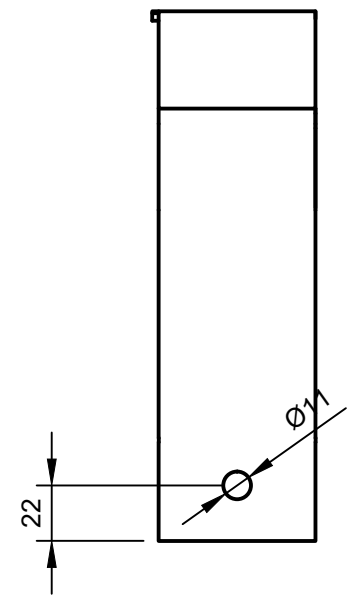
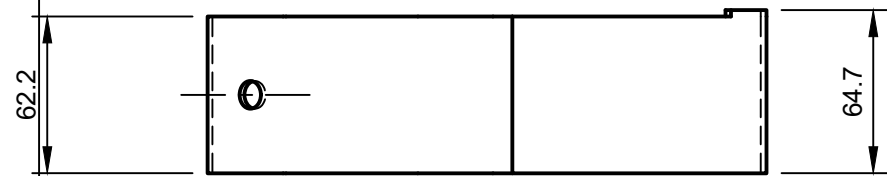
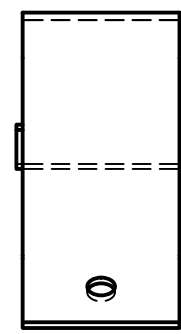
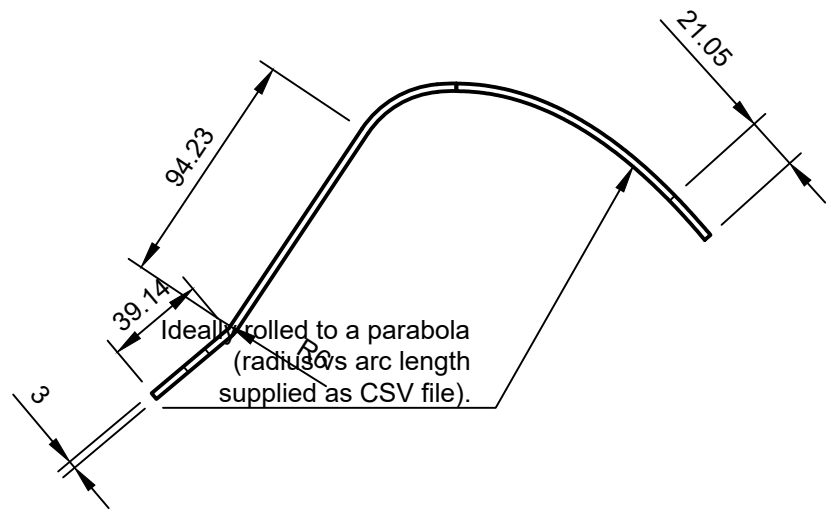


Fairings move tangential to the lip surface when packed upwards

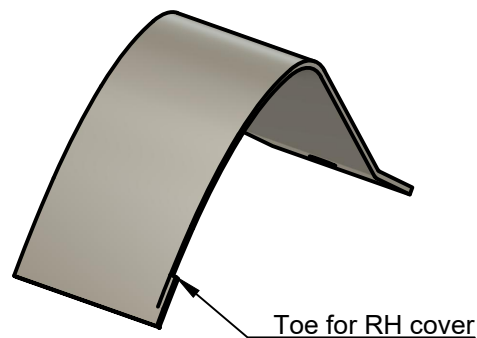
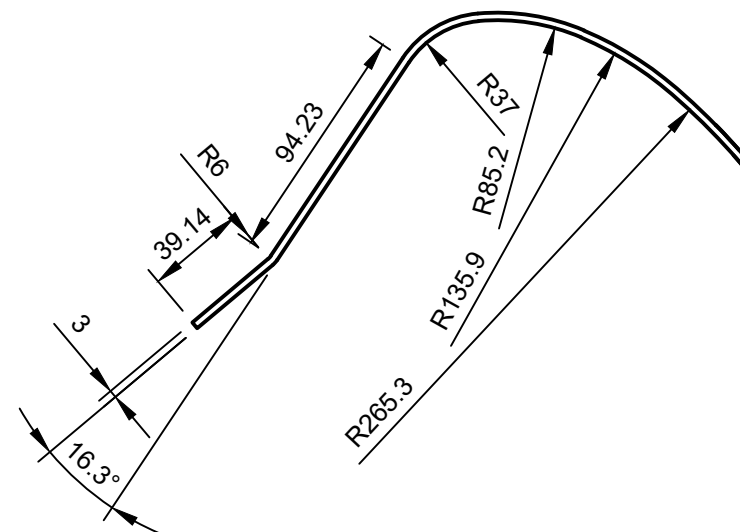
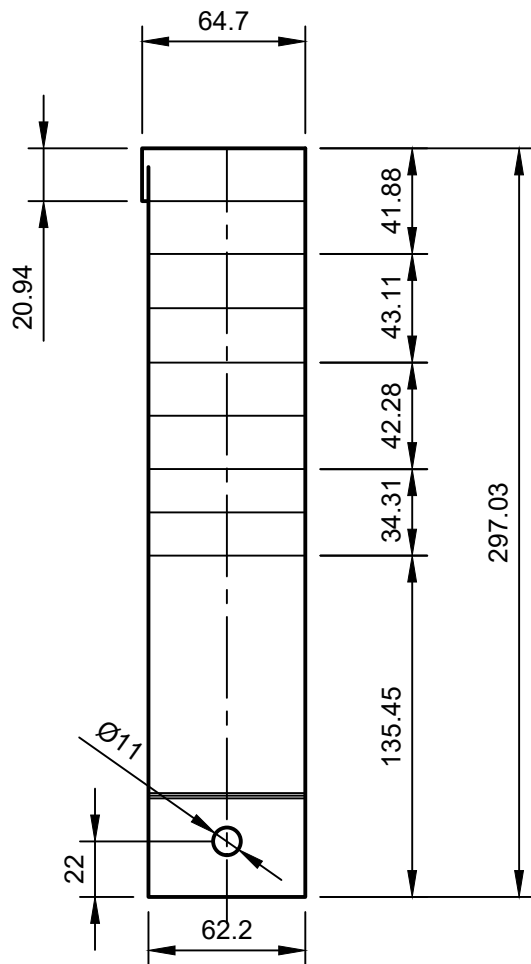
Adjustable fairing parts	
1	Fairing 1
2	Fairing 2
3	F12 base
4	F1 RH cover
5	F12 divider
6	F2 LH cover
7	M8*45 stainless bolts

During commissioning these fairings will be packed upwards with a thick spacer plate to set the bypass flow limit.

Material:		Project: Hafod y Rhedwydd micro-hydro		Title: Adjustable fairings		Projection 	
Thickness:		Drawing No. HyR_210325a		Designer: Dr. R.W.Moss		Paper size A4	
Required:		Sheet 1 of 10		Rev. 0		Default scale 1:4	
		Sheet title Parts list		Revision date 25/03/2021			

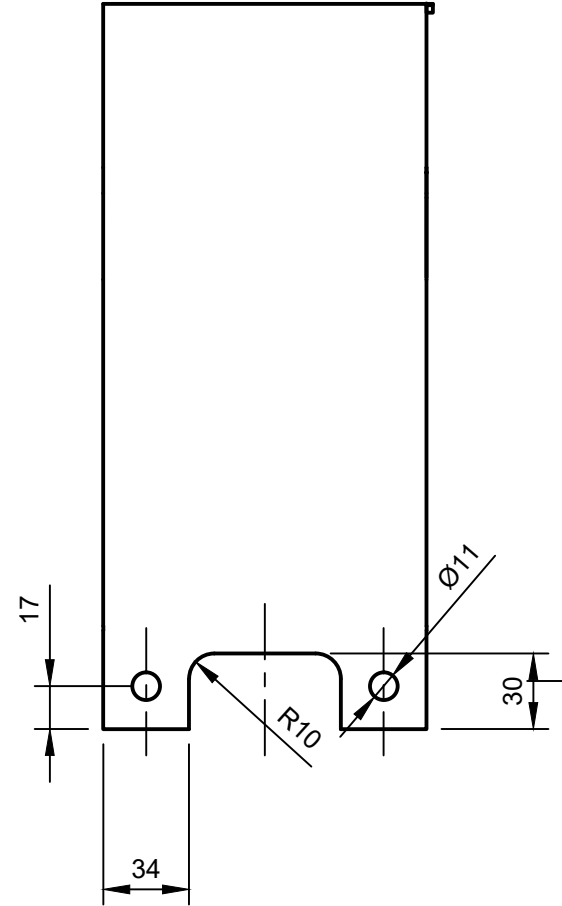
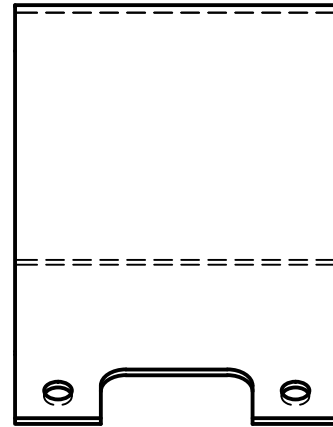
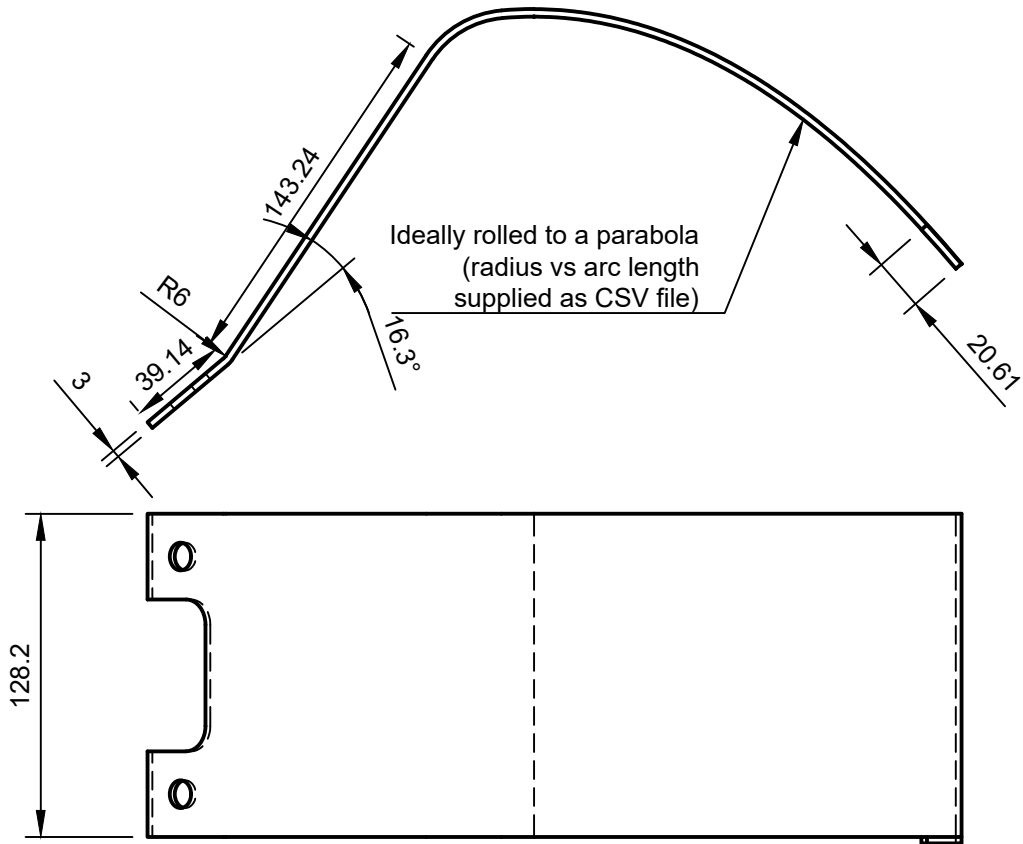


Project: Hafod y Rhedwydd micro-hydro		Title: Adjustable fairings			Projection 	
Material:		Drawing No. HyR_210325a			Paper size A4	
Thickness:		Designer: Dr. R.W.Moss		Units: mm		Default scale 1:3
Required: 1-off		Sheet 2 of 10	Sheet title Item 1: Fairing 1 (parabola version)		Rev. 0	Revision date 25/03/2021

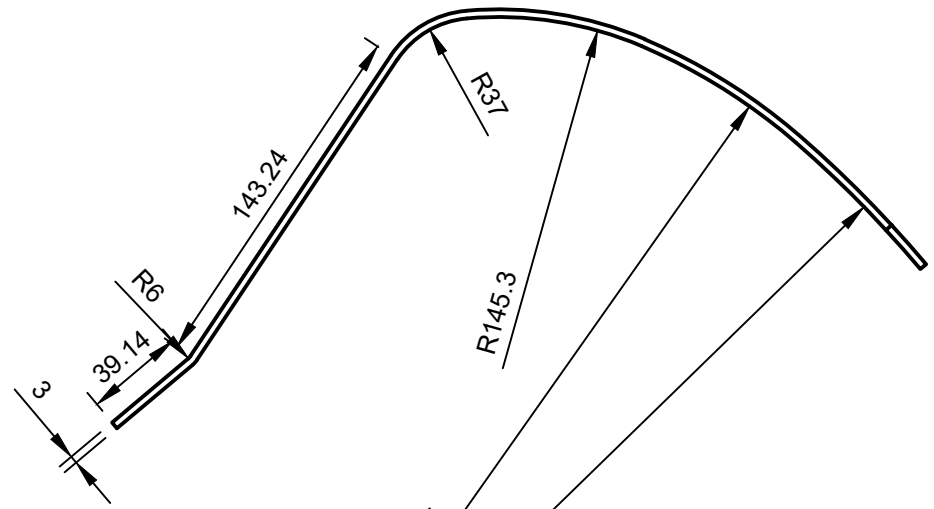
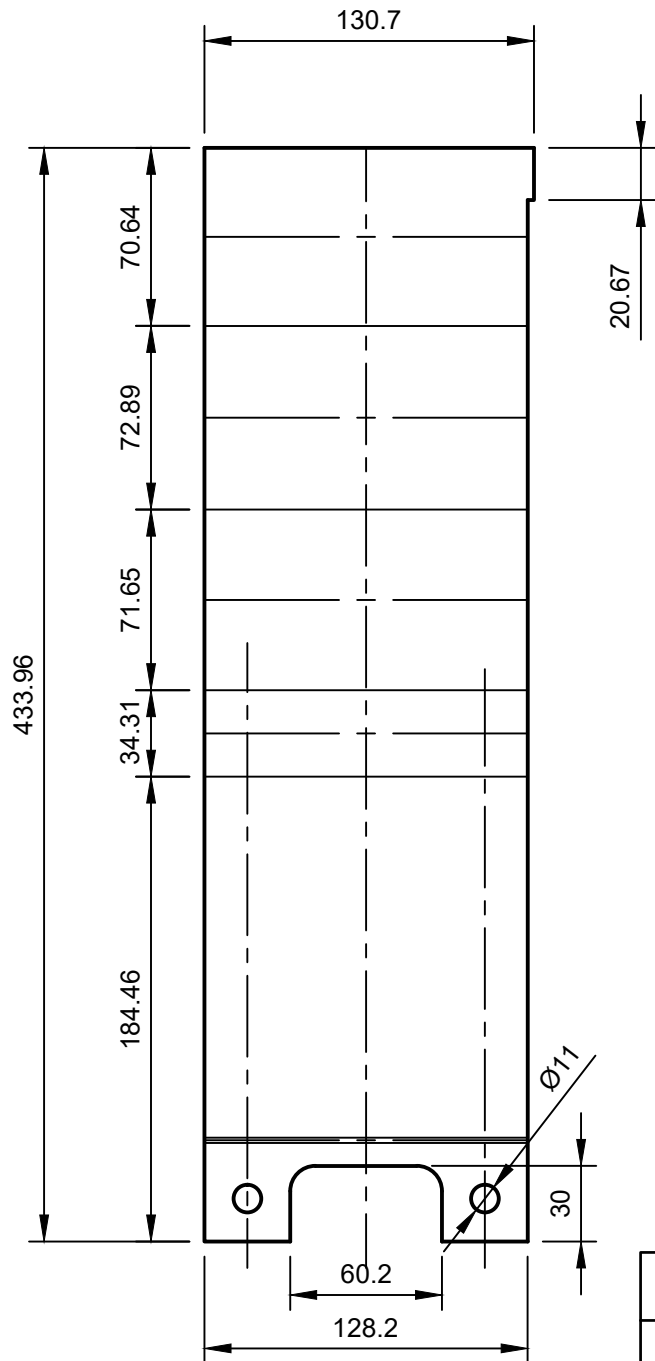


Fairing 1 rolling details	
Internal radius	Angle
37	51.3°
85.2	28°
135.9	18°
265.3	9°

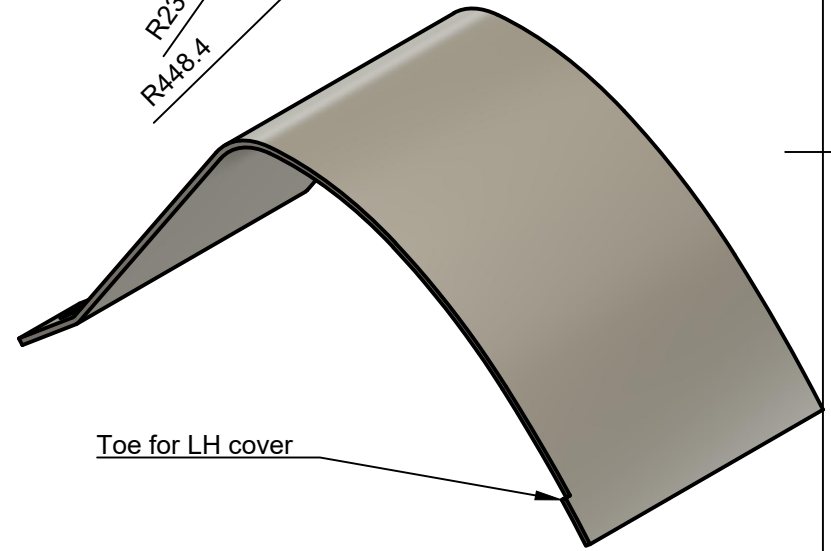
Project: Hafod y Rhedwydd micro-hydro		Title: Adjustable fairings		Projection 	
Drawing No. HyR_210325a		Designer: Dr. R.W.Moss		Paper size A4	
Material:		Units: mm		Default scale 1:3	
Thickness:	Required: 1 (alternative)	Sheet 3 of 10	Sheet title Item 1: Fairing 1 (multiple arc version)	Rev. 0	Revision date 25/03/2021



Project: Hafod y Rhedwydd micro-hydro		Title: Adjustable fairings			Projection 	
Material:		Drawing No. HyR_210325a			Paper size A4	
Thickness:		Designer: Dr. R.W.Moss			Default scale 1:3	
Required: 1-off		Sheet 4 of 10		Units: mm		Revision date 25/03/2021
Sheet title Item 2: Fairing 2 (parabola version)				Rev. 0	Revision date 25/03/2021	

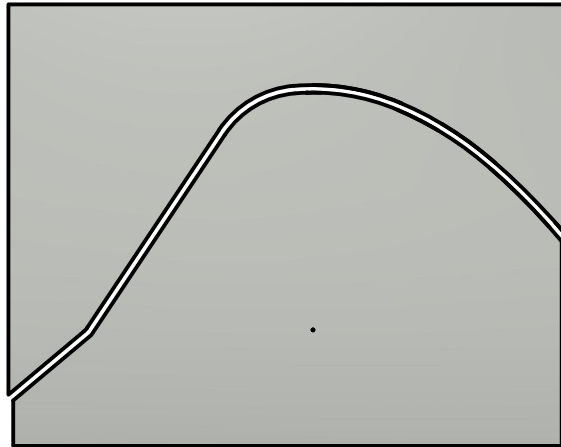


Fairing 2 rolling details	
Internal radius	Angle
37	51.3°
145.3	28°
230.7	18°
448.4	9°

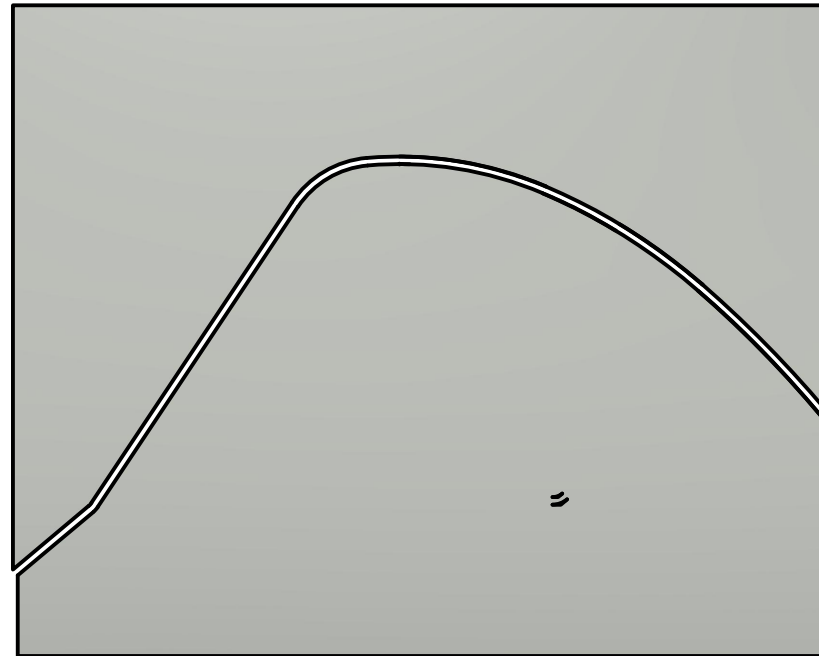


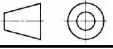
Project: Hafod y Rhedwydd micro-hydro		Title: Adjustable fairings		Projection 	
Material:		Drawing No. HyR_210325a		Paper size A4	
Thickness:		Designer: Dr. R.W.Moss		Default scale 1:3	
Required: 1 (alternative)		Sheet title Item 2: Fairing 2 (multiple arcs version)		Revision date 25/03/2021	
Sheet 5 of 10		Units: mm		Rev. 0	

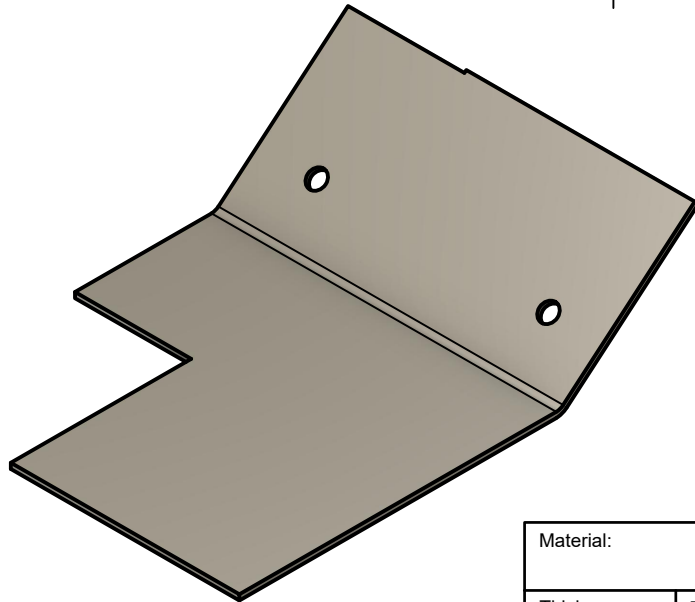
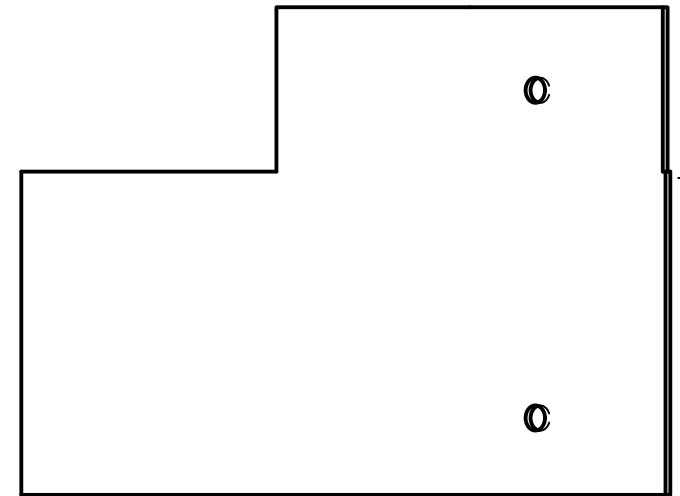
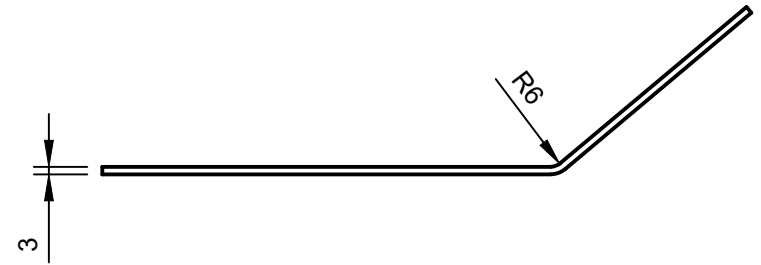
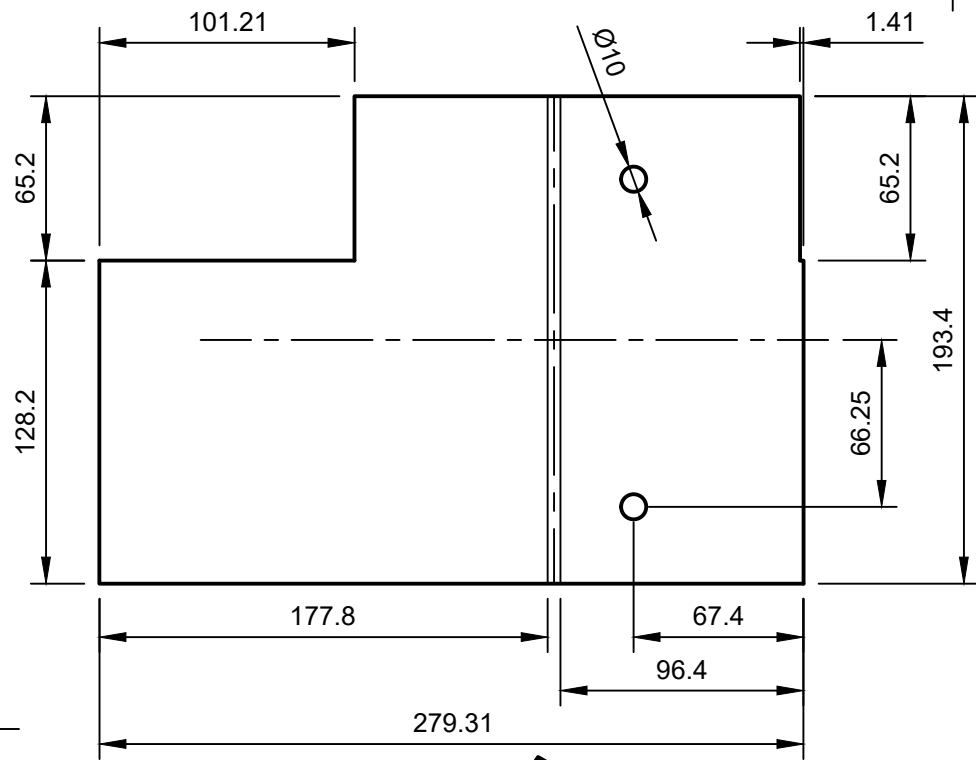
Fairing 1 inner and outer templates



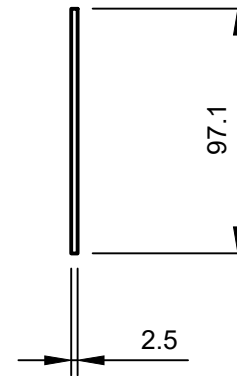
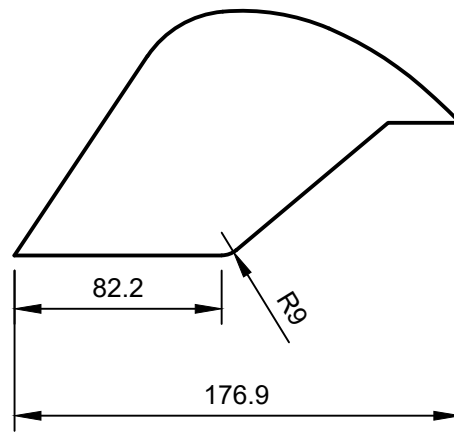
Fairing 2 inner and outer templates

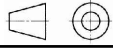


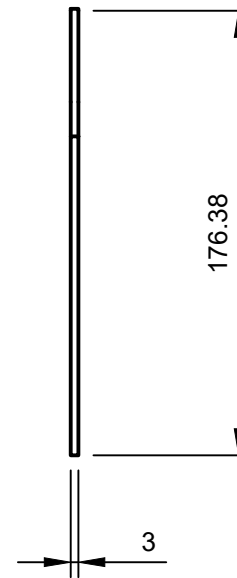
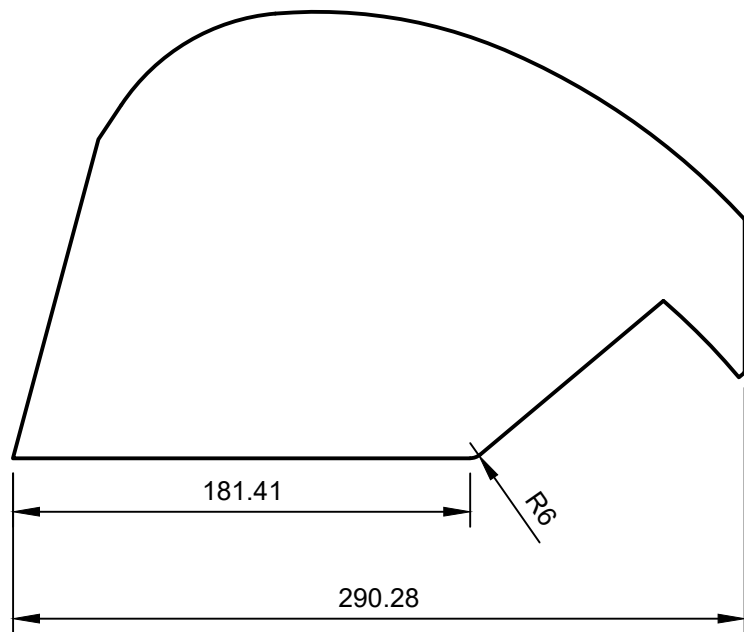
		Project: Hafod y Rhedwydd micro-hydro		Title: Adjustable fairings		Projection 	
		Drawing No. HyR_210325a		Designer: Dr. R.W.Moss		Paper size A4	
Material:		Units: mm		Default scale 1:3			
Thickness:	Required:	Sheet 6 of 10	Sheet title Templates for rolling fairings		Rev. 0	Revision date 25/03/2021	

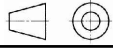


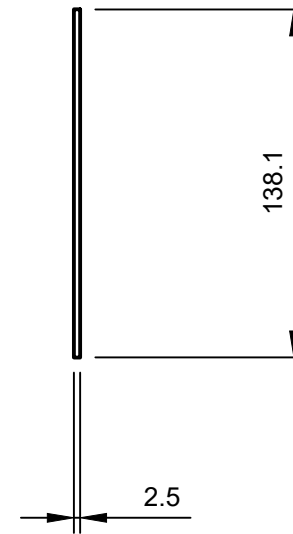
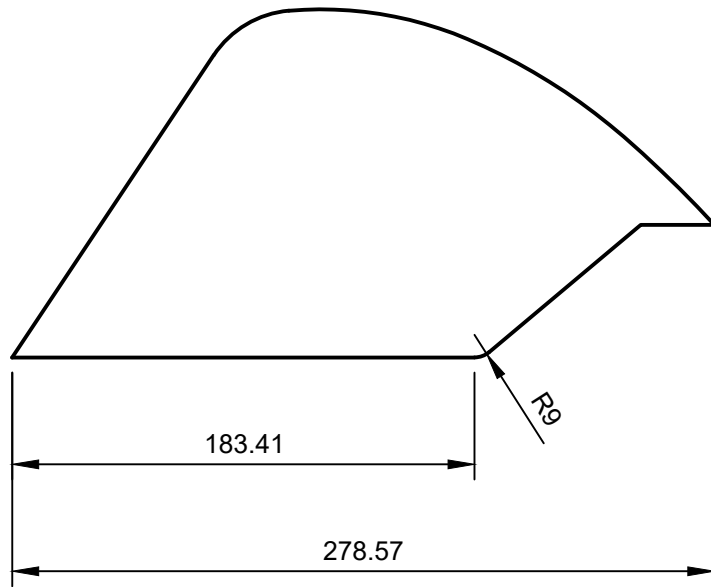
Project: Hafod y Rhedwydd micro-hydro		Title: Adjustable fairings		Projection
Material:		Drawing No. HyR_210325a		Paper size A4
Thickness:	Required: 1-off	Sheet 7 of 10	Designer: Dr. R.W.Moss	Units: mm
		Sheet title Item 3: F12 base	Rev. 0	Default scale 1:3
		Revision date 25/03/2021		

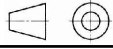


		Project: Hafod y Rhedwydd micro-hydro		Title: Adjustable fairings		Projection 	
		Drawing No. HyR_210325a		Designer: Dr. R.W.Moss		Paper size A4	
Material:		Sheet 8 of 10		Sheet title Item 4: F1 RH cover		Default scale 1:3	
Thickness:	Required: 1-off	Rev. 0		Revision date 25/03/2021			



Material:		Project: Hafod y Rhedwydd micro-hydro		Title: Adjustable fairings		Projection 	
		Drawing No. HyR_210325a		Designer: Dr. R.W.Moss		Paper size A4	
Thickness:	Required: 1-off	Sheet 9 of 10	Sheet title Item 5: F12 divider		Units: mm	Default scale 1:3	
				Rev. 0	Revision date 25/03/2021		



Material:		Project: Hafod y Rhedwydd micro-hydro		Title: Adjustable fairings		Projection 	
		Drawing No. HyR_210325a		Designer: Dr. R.W.Moss		Paper size A4	
Thickness:	Required: 1-off	Sheet 10 of 10	Sheet title Item 6: F2 LH cover		Units: mm	Default scale 1:3	
		Rev. 0	Revision date 25/03/2021				