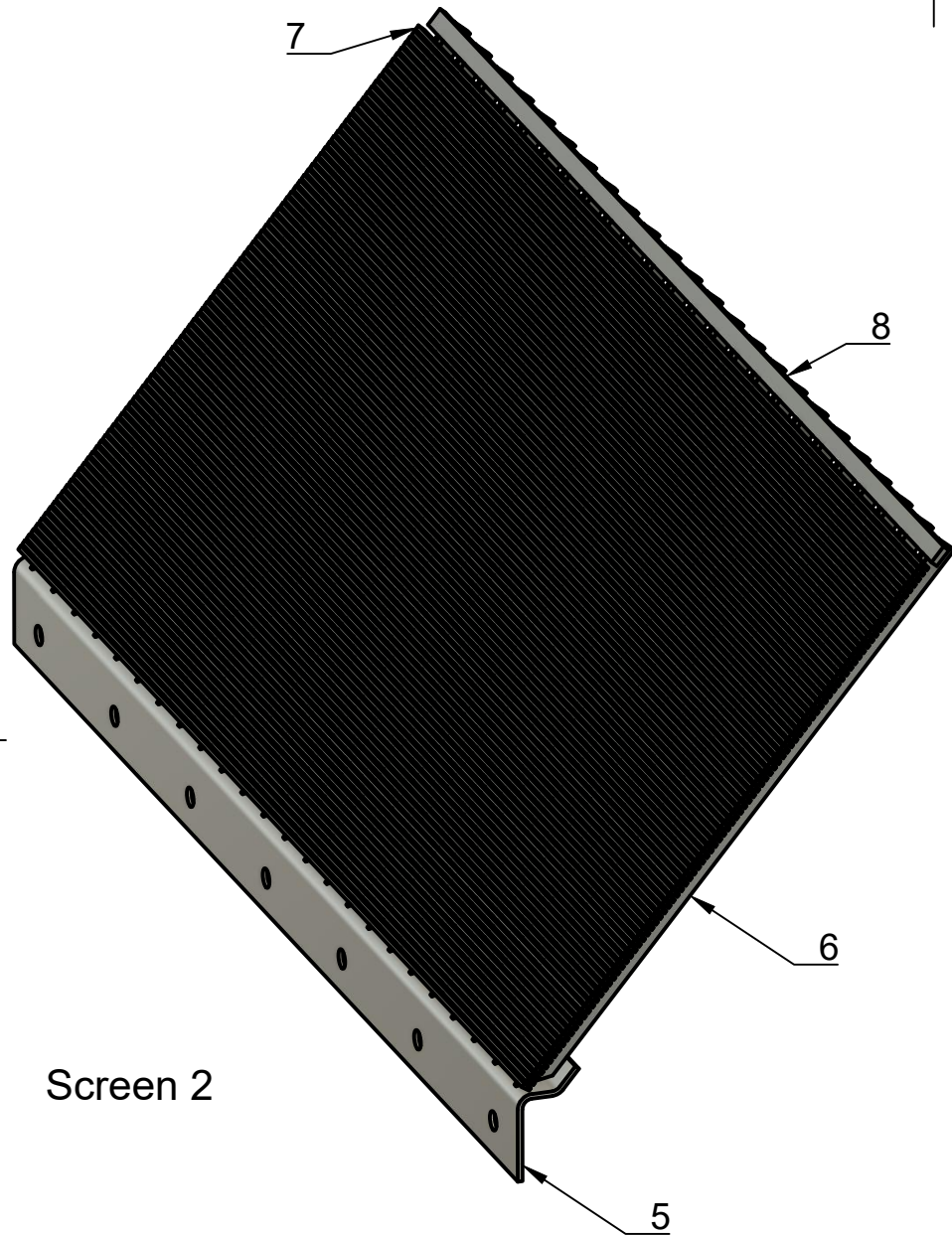
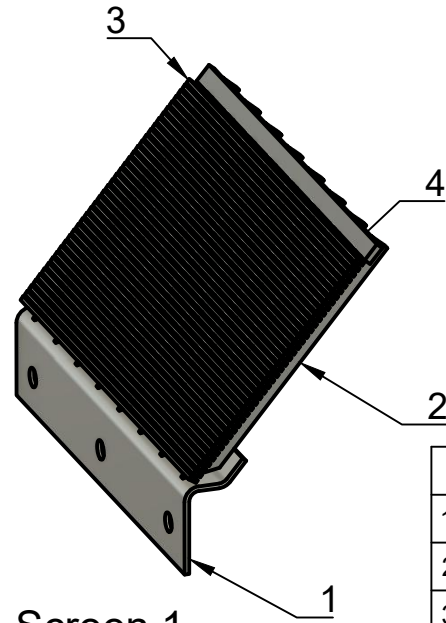


See also: HyR\_201016a, "Coanda screens"



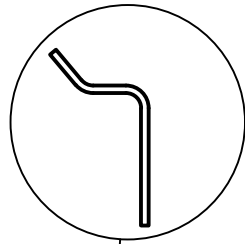
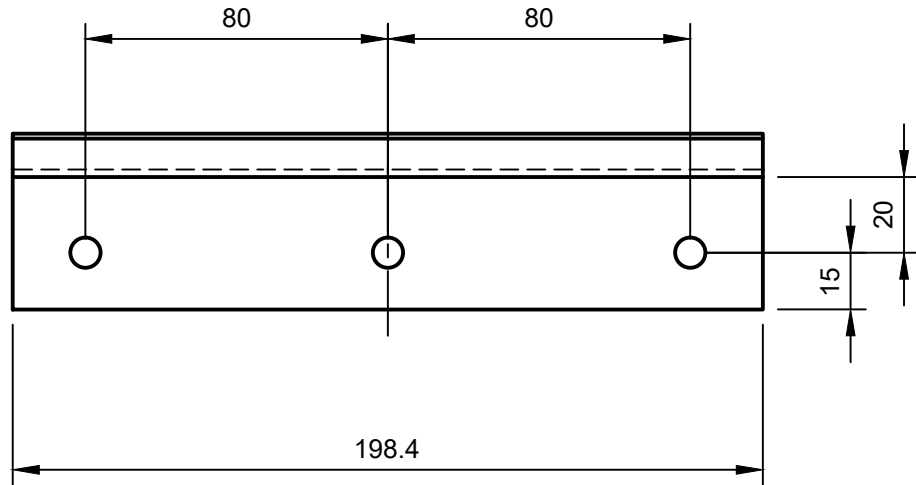
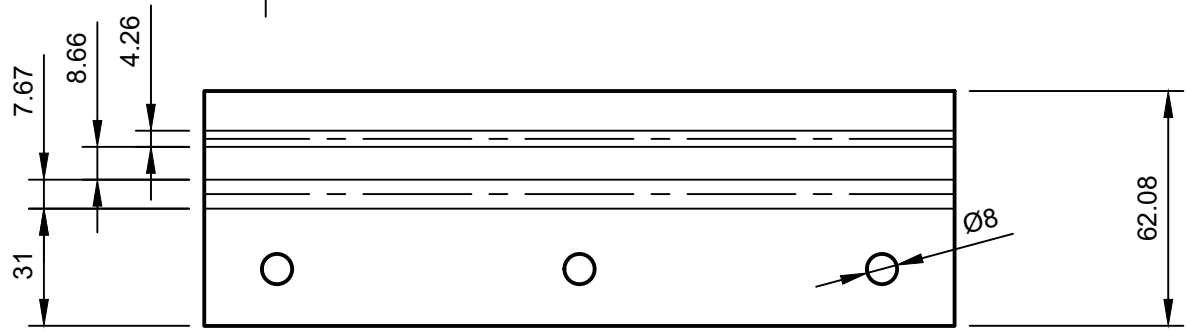
Screen 2



Screen 1

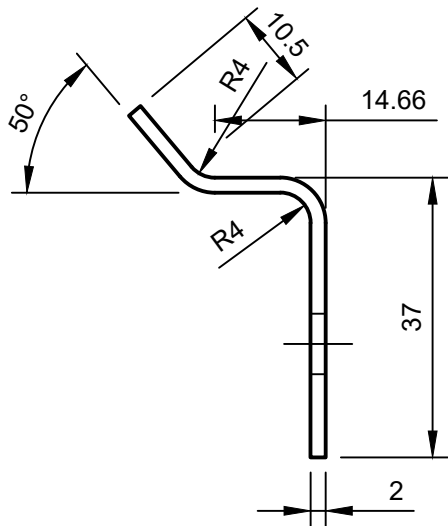
1	Sc.1 bottom rail	1-off
2	Sc. 1 support bars	8-off
3	Sc. 1 wires	40-off
4	Sc. 1 top bar	1-off
5	Sc. 2 bottom rail	1-off
6	Sc. 2 support bars	24-off
7	S. 2 wires	95-off
8	Sc. 2 top bar	1 off

Project: Hafod y Rhedwydd micro-hydro		Title: Coanda screen assemblies		Projection 	
Drawing No. HyR_201016b		Designer: Dr. R.W.Moss		Paper size A4	
Material:		Units:		Default scale 1:4	
Thickness:	Required:	Sheet 1 of 6	Sheet title Identification of parts	Rev.	Revision date 05/07/2020



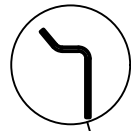
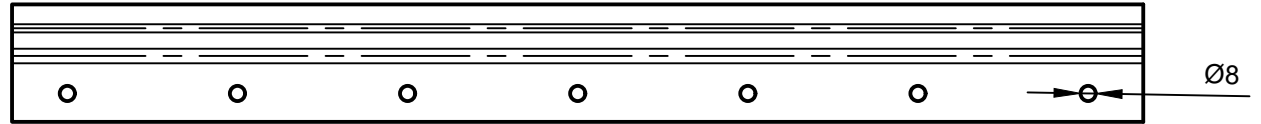
A

A (1:1)



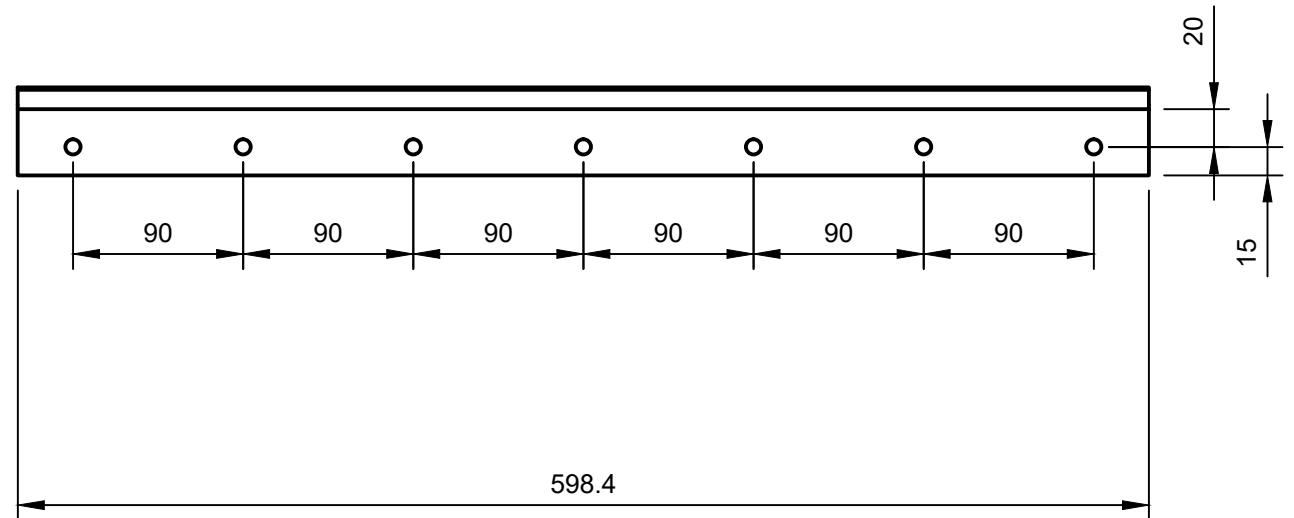
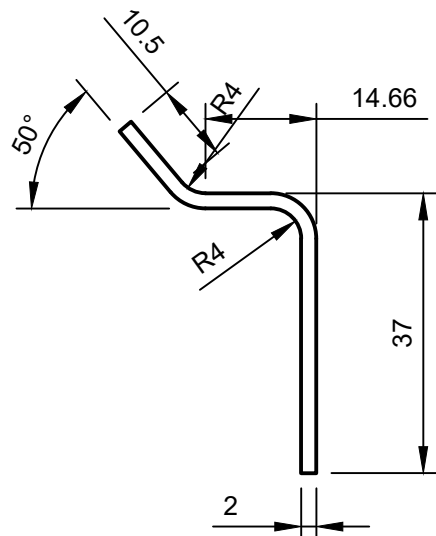
Material: 304L stainless		Drawing No. HyR_201016b		Project: Hafod y Rhedwydd micro-hydro		Title: Coanda screen assemblies		Projection 	
Thickness: 2 mm		Required: 1-off		Sheet 2 of 6		Sheet title Screen 1 bottom rail		Paper size A4	
				Designer: Dr. R.W.Moss		Units:		Default scale 1:2	
				Rev.		Revision date 16/10/2020			

Both bottom rails (screen 1 & screen 2) have the same cross-section.

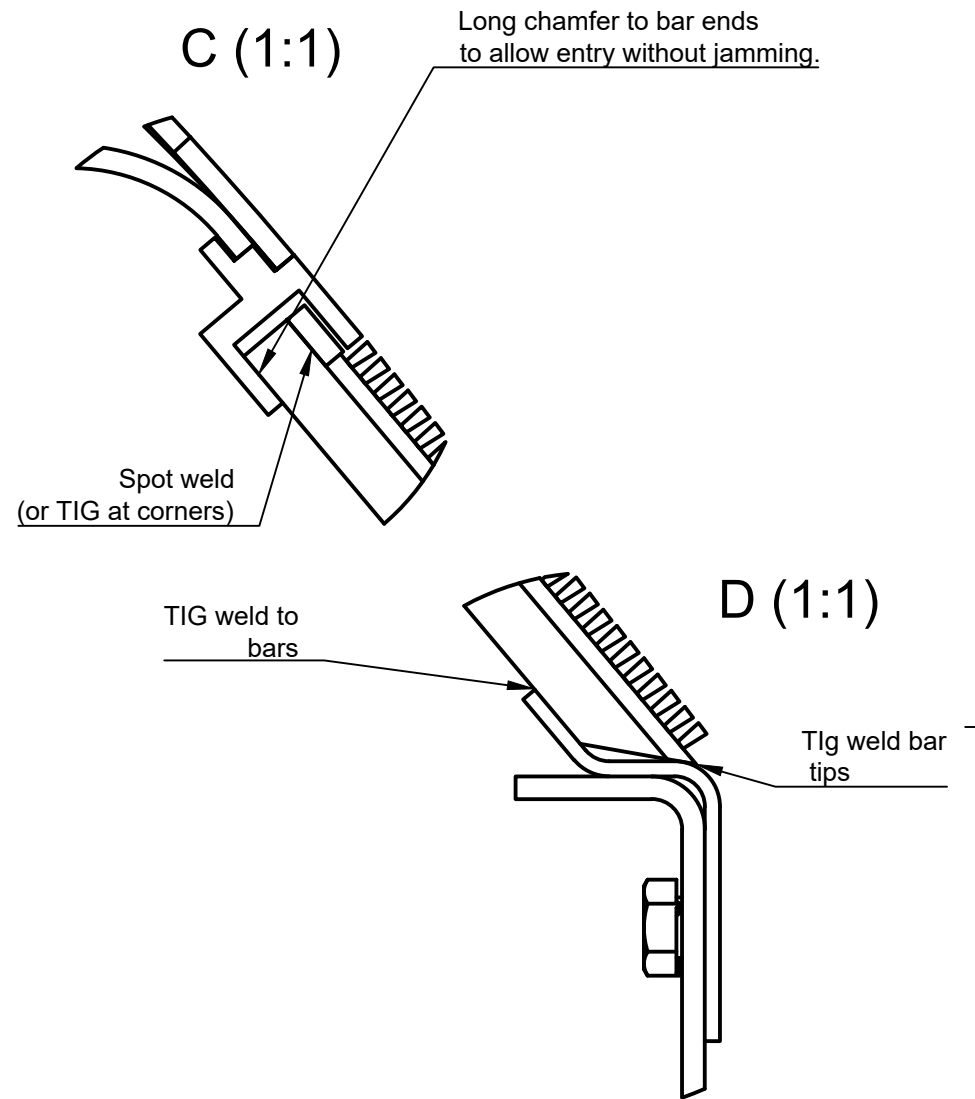
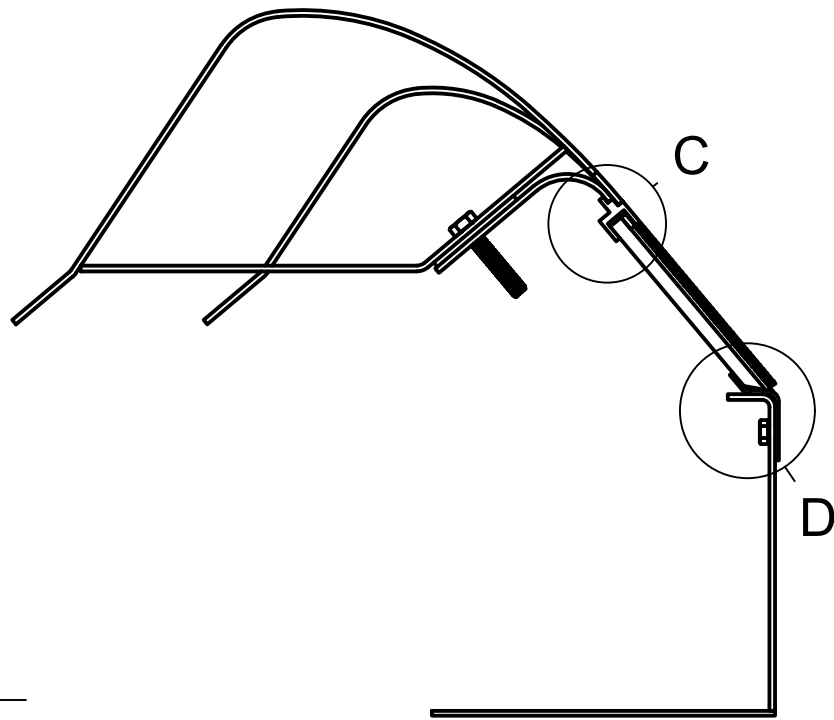


B

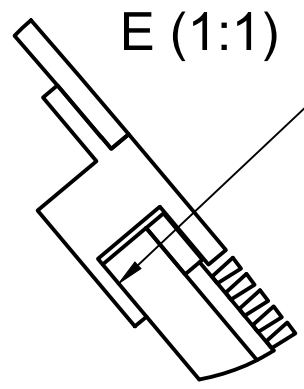
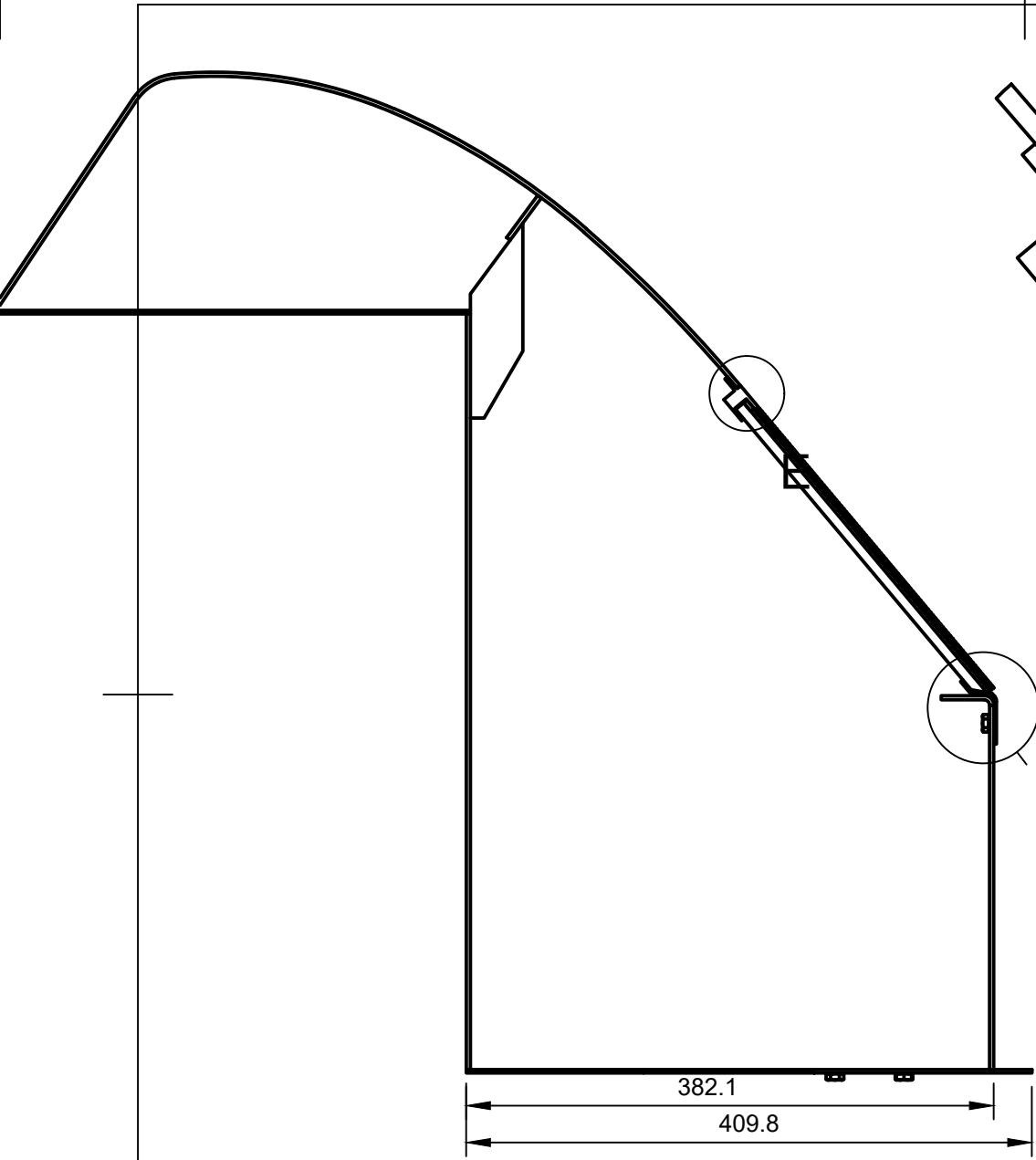
B (1:1)



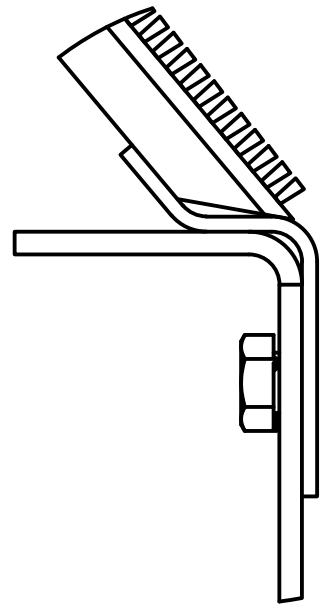
Material: 304L stainless		Drawing No. HyR_201016b		Project: Hafod y Rhedwydd micro-hydro		Title: Coanda screen assemblies		Projection 	
Thickness: 2 mm		Required: 1-off		Sheet 3 of 6		Sheet title Screen 2 bottom rail		Paper size A4	
				Designer: Dr. R.W.Moss		Units:		Default scale 1:4	
				Rev.		Revision date 16/10/20			



Material:		Project: Hafod y Rhedwydd micro-hydro		Title: Coanda screen assemblies		Projection 	
		Drawing No. HyR_201016b		Designer: Dr. R.W.Moss		Paper size A4	
Thickness:	Required:	Sheet 4 of 6	Sheet title Screen 1 fitting detail		Units:	Default scale 1:4	
		Rev.	Revision date 16/10/20				



Long chamfer to bar ends to allow entry without jamming

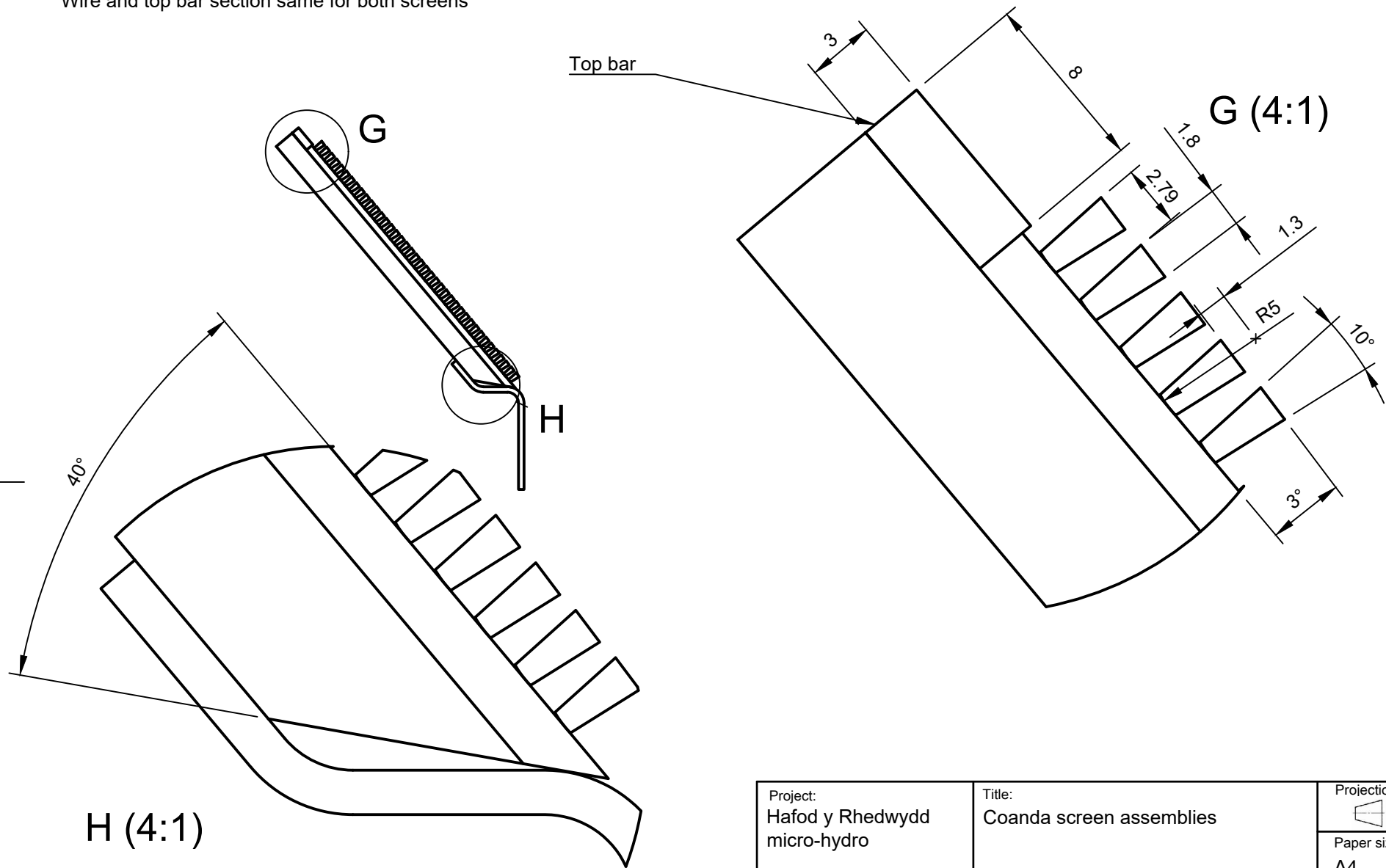


F (1:1)

Project: Hafod y Rhedwydd micro-hydro		Title: Coanda screen assemblies		Projection 
Drawing No. HyR_201016b		Designer: Dr. R.W.Moss	Units:	Paper size A4
Material:	Sheet 5 of 6	Sheet title Screen 2 fitting detail		Default scale 1:5
Thickness:	Required:	Rev.	Revision date 16/10/20	

Wire and top bar section same for both screens

Top bar



H (4:1)

G (4:1)

Project: Hafod y Rhedwydd micro-hydro		Title: Coanda screen assemblies		Projection 
Drawing No. HyR_201016b		Designer: Dr. R.W.Moss	Units:	Paper size A4
Material:	Sheet 6 of 6	Sheet title Screen wires and top bar		Default scale 1:2
Thickness:	Required:	Rev.	Revision date 16/10/20	