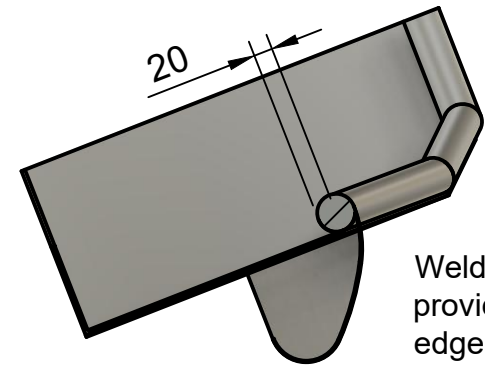
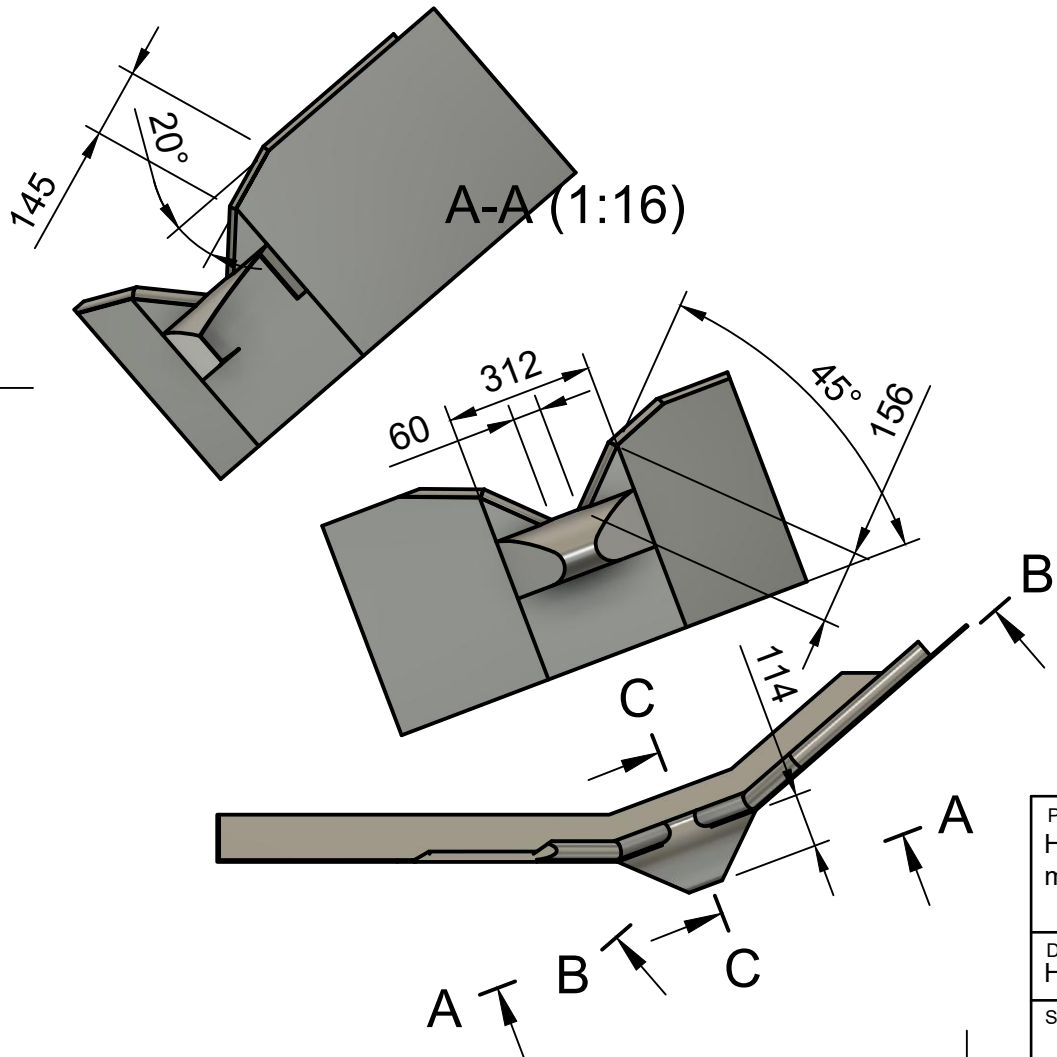


Material: 304L stainless steel,
2.5 mm thick

C-C (1:8)



Ogee designed to support nappe
when stream flow < 11 litres/sec.



Project: Hafod y Rhedrydd micro-hydro		Title: Retaining wall for plunge pool basin.		Projection 	
Drawing No. HyR_181103A		Designer: Dr R.W.Moss		Paper size A4	
Sheet 1/1		Sheet title Notch angles and rim cross-section		Units: mm	
		Rev. 0		Default scale 1:16	
				Revision date 03-Nov-18	