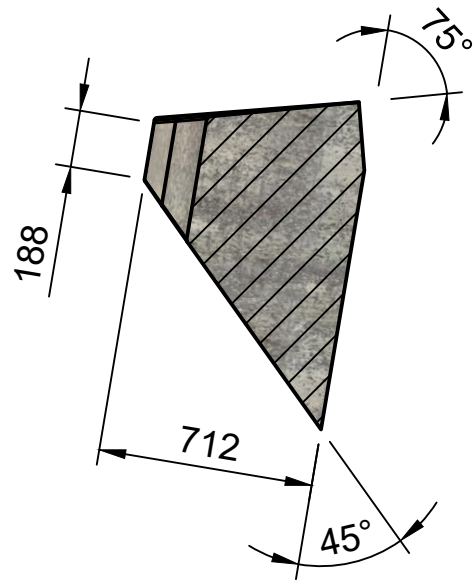


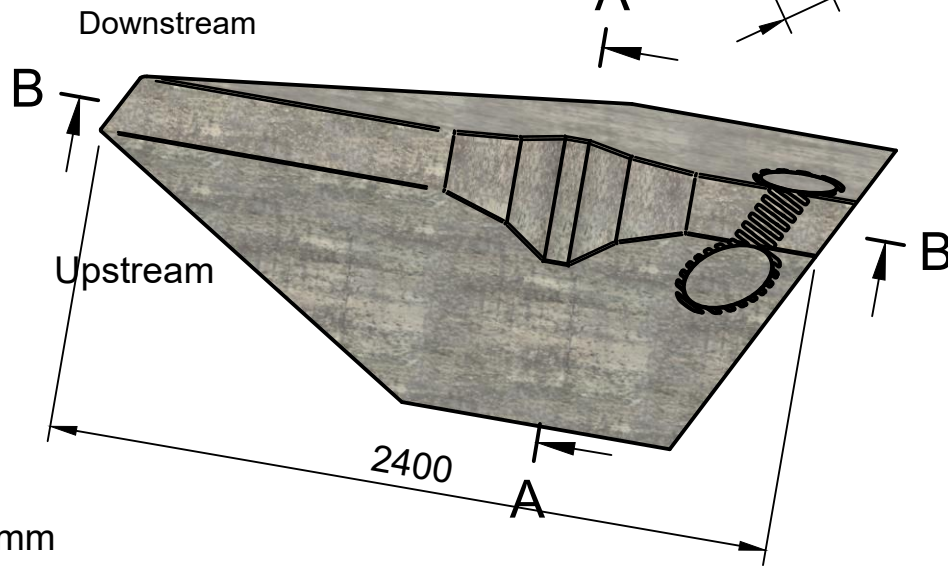
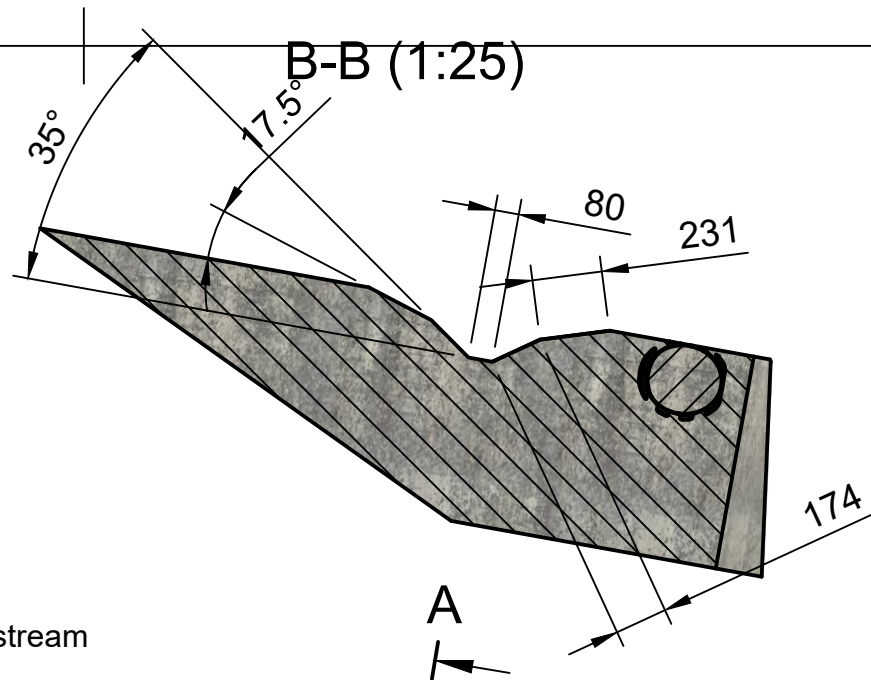
Upstream face at 45 degrees for strength and stability.
 Downstream face at 75 degrees to facilitate fish jumping.
 No sharp edges.

A-A (1:25)



Material: concrete.
 Location: to key into channels 70 mm deep in bedrock.

B-B (1:25)



Project: Hafod y Rhedrydd micro-hydro		Title: Barrage		Projection 	
Drawing No. HyR_181105A		Designer: Dr R.W.Moss		Paper size A4	
Sheet 1/1		Sheet title Notch profile.		Units: mm	
		Rev. 0		Default scale 1:25	
				Revision date 05-Nov-18	