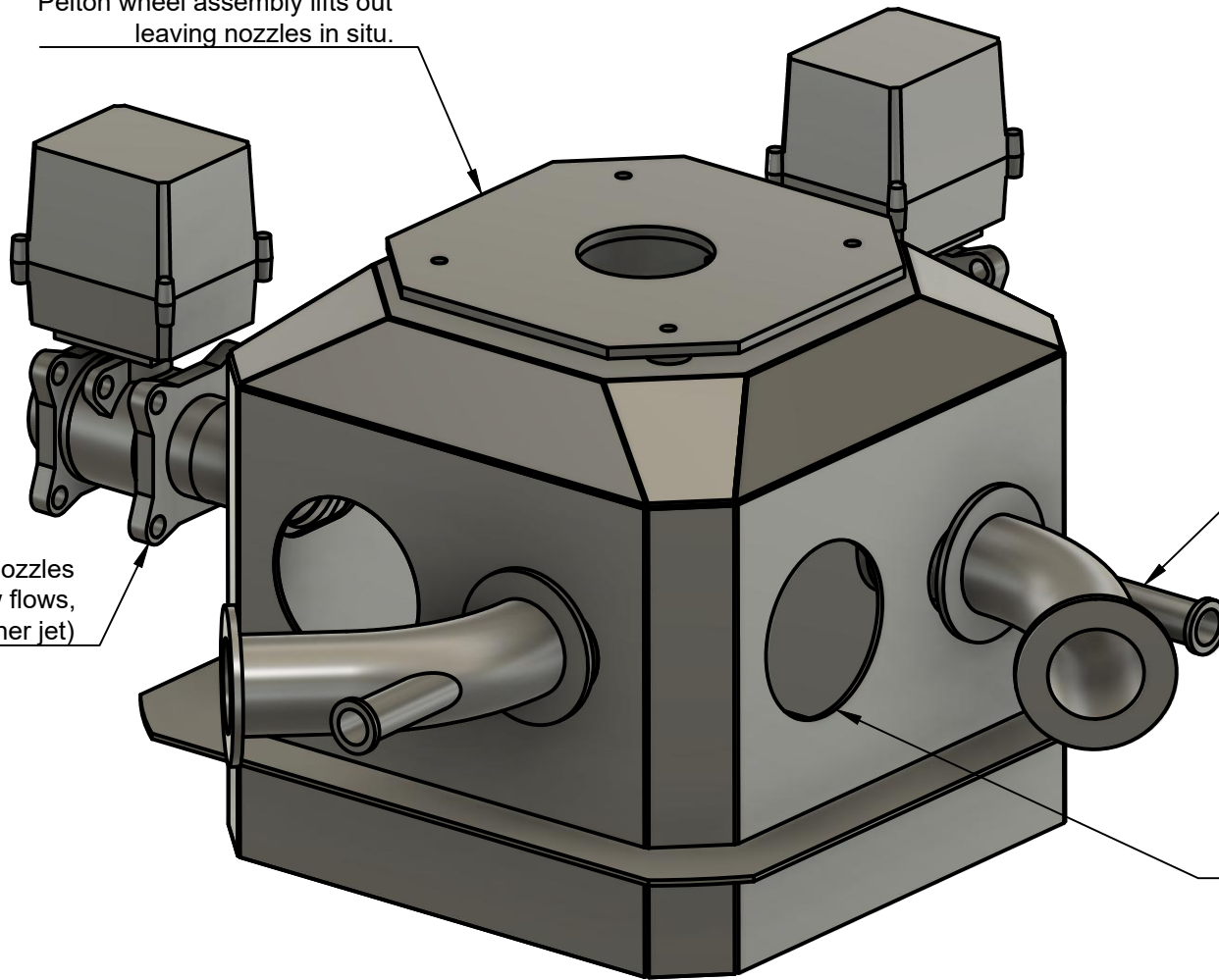


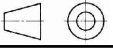
Pelton wheel assembly lifts out leaving nozzles in situ.

Two on/off nozzles (low flows, cleaner jet)

Two spear valves (high flows)

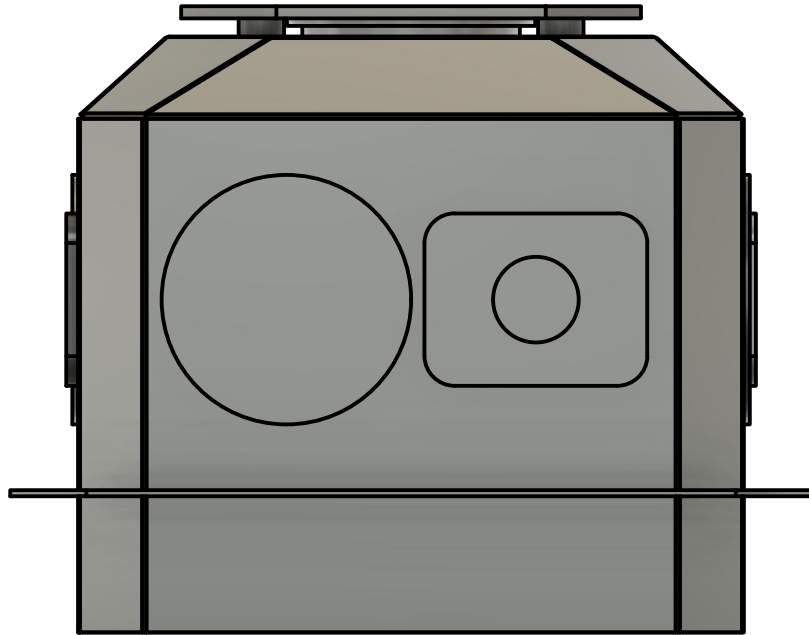
Inspection ports (turbine condition and jet alignment)



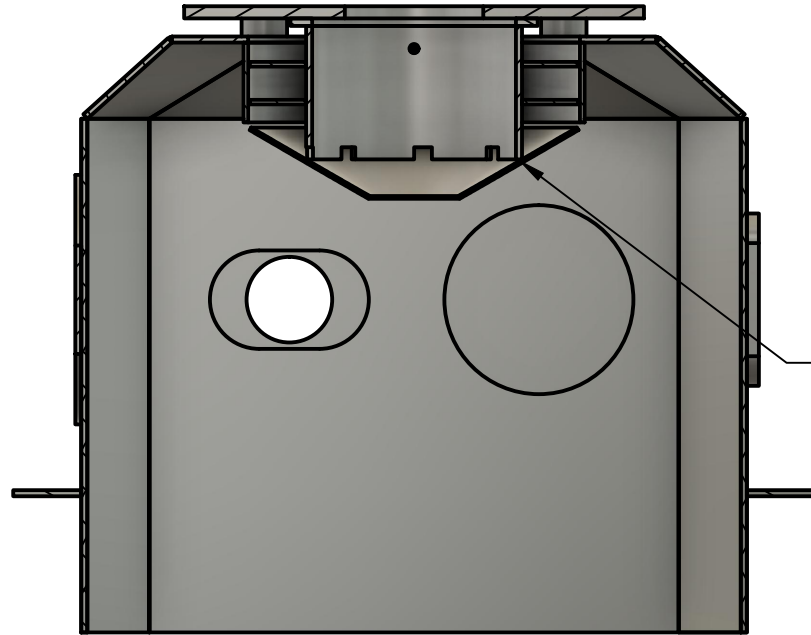
Project: Hafod y Rhedwydd micro-hydro		Title: Pelton turbine assembly		Projection 
Material:		Drawing No.		Paper size A4
Thickness:		Designer: Dr. R.W.Moss		Default scale 1:5
Required:	Sheet	Sheet title Housing general arrangement		Rev. Revision date 26/03/2021

A-A (1:5)


A
→



→
A



Spatter cone
deflects discharge
onto side walls

Project: Hafod y Rhedwydd micro-hydro		Title: Pelton turbine assembly		Projection 
Material:		Drawing No.		Paper size A4
Thickness:	Required:	Sheet	Designer: Dr. R.W.Moss	Default scale 1:5
		Sheet title Removable bearing sub-assembly	Units:	Revision date 26/03/2021