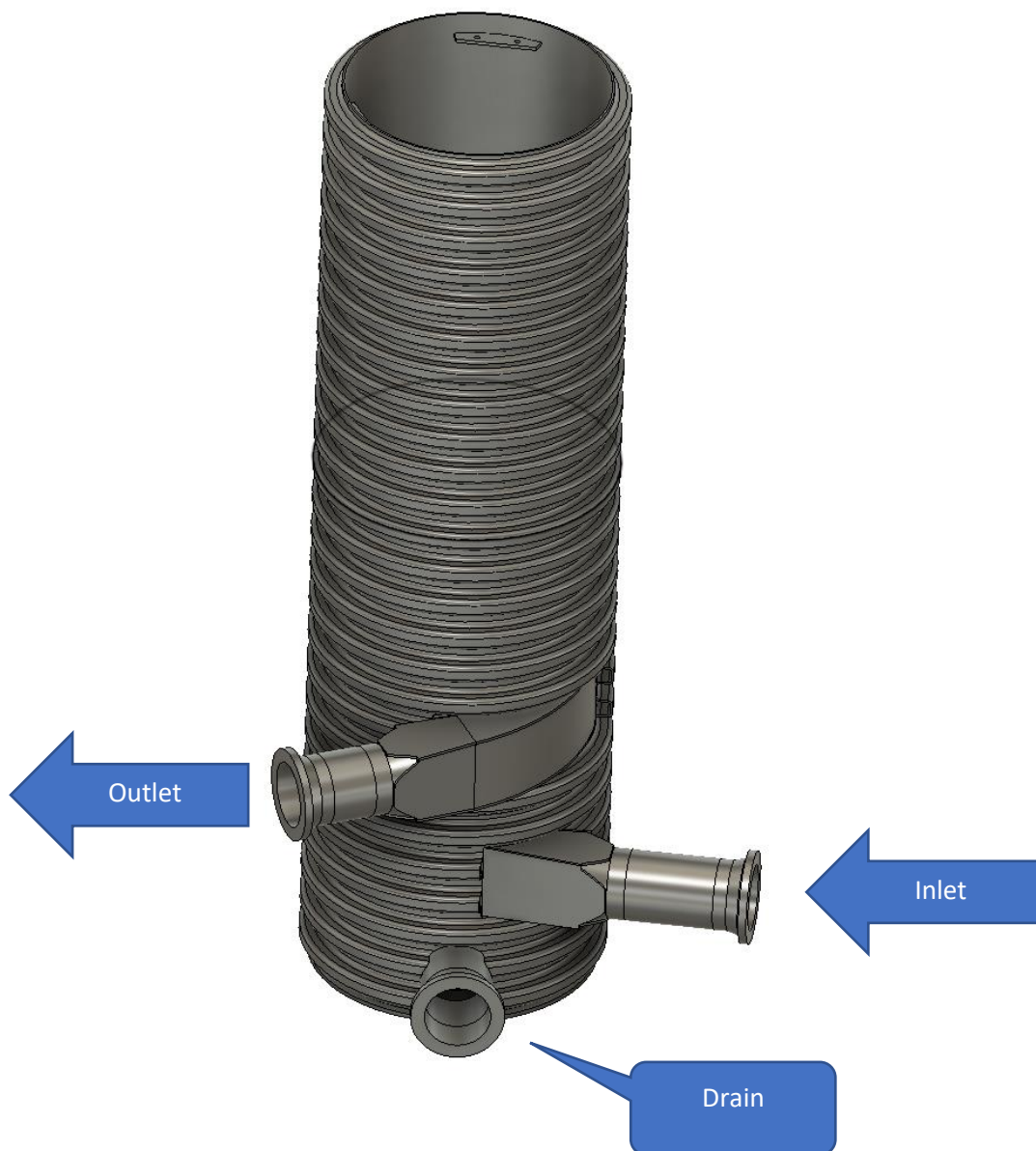


Settling tank for the Hafod y Rhedwydd micro-hydro system.

Roger Moss, roger@hafodyr.co.uk, 07854 675742

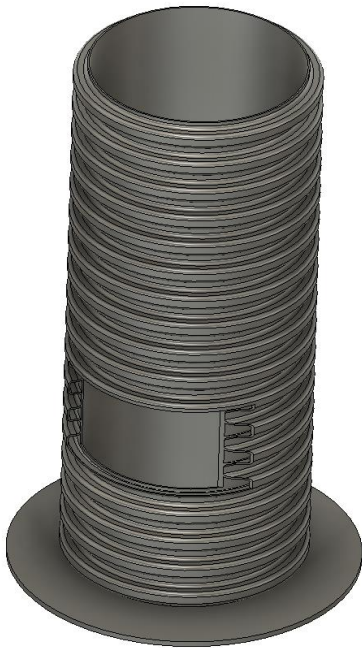
This takes water from the Coanda screens (full of bubbles and foam) and makes it swirl in the inner tube. The bubbles float inwards while the water moves outwards and back down between the inner and outer tubes. Approximate dimensions:

- Height 2.2 m
- Outer tube 600 mm ID (twinwall HDPE)
- Inner tube 400 mm ID (twinwall HDPE)
- Supply pipes 160 mm Akatherm
- Some of the water will be for drinking – avoid pipes that use recycled HDPE.

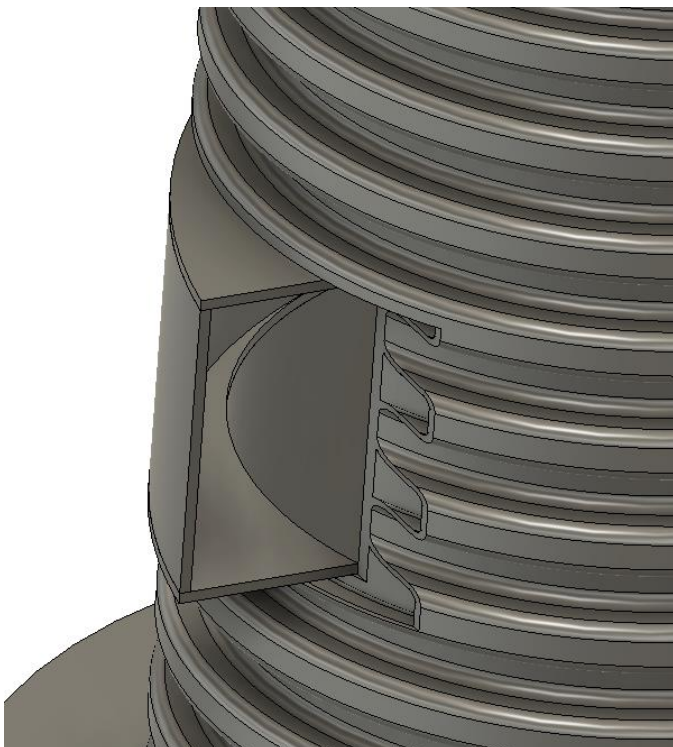


It is designed to be assembled in stages as follows:

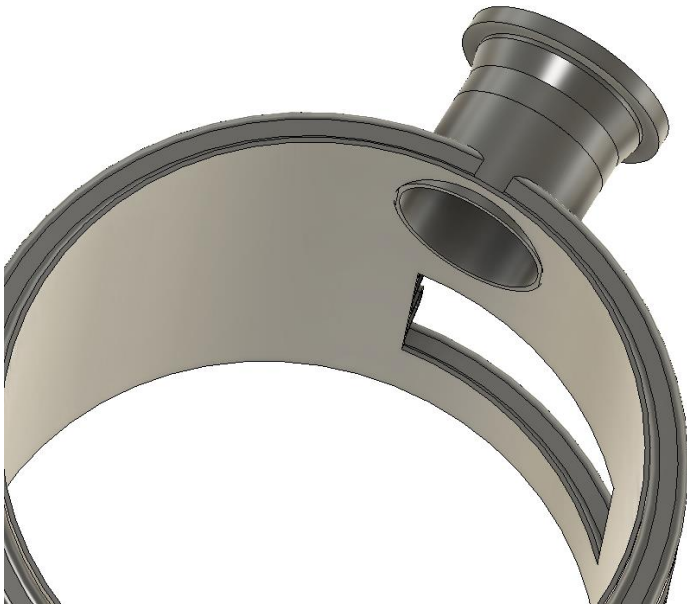
(1) Weld inner tube to base plate



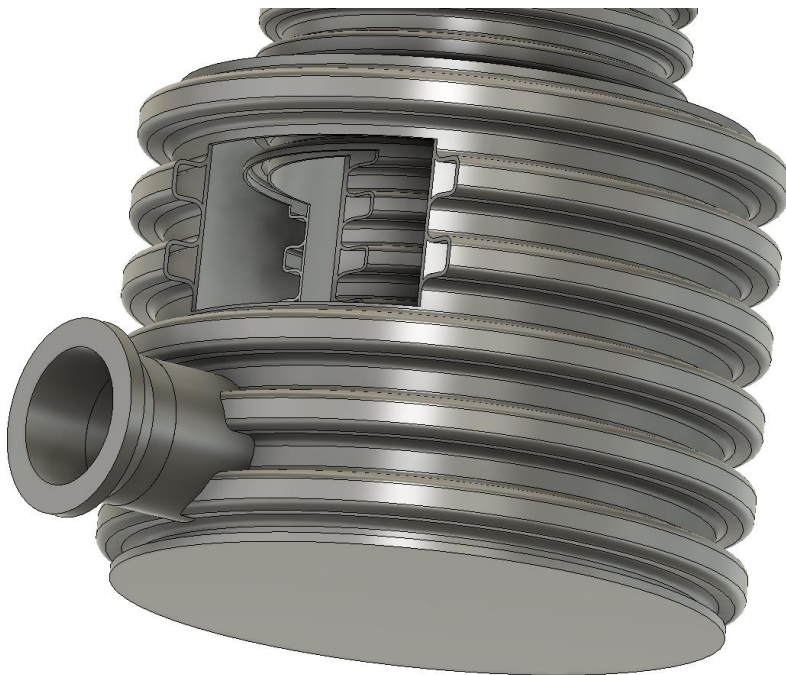
(2) Weld inlet scroll plates to inner tube



(3) Weld drain stub to lower outer tube

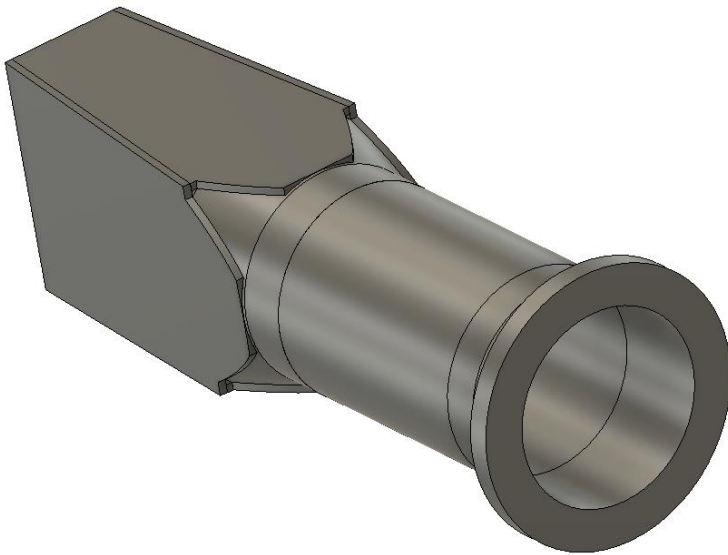
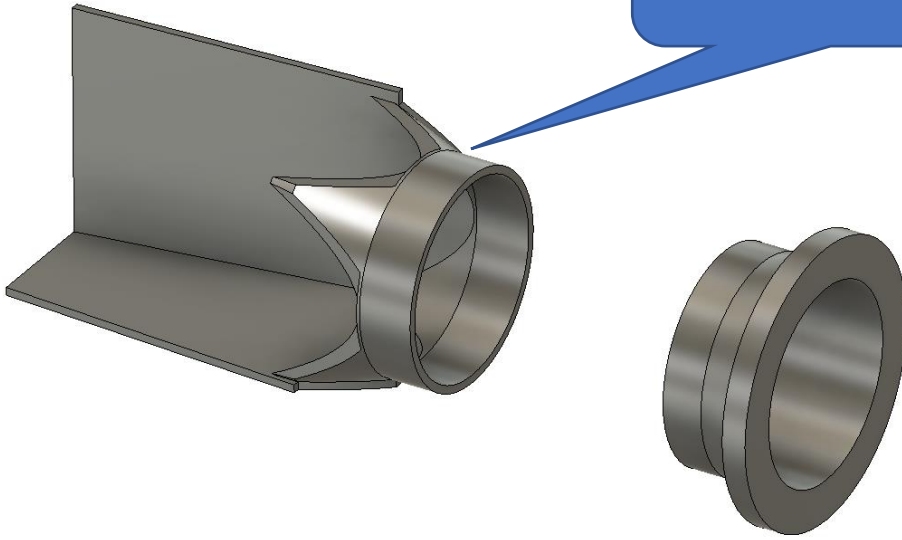


(4) Place lower outer tube over the inner tube and weld to base plate

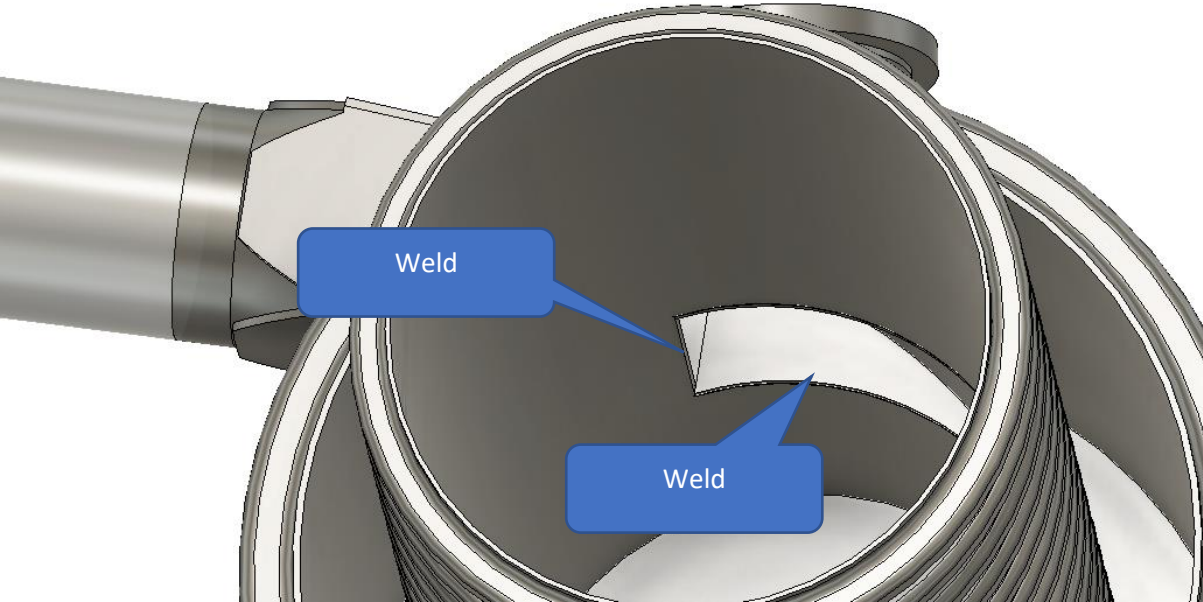
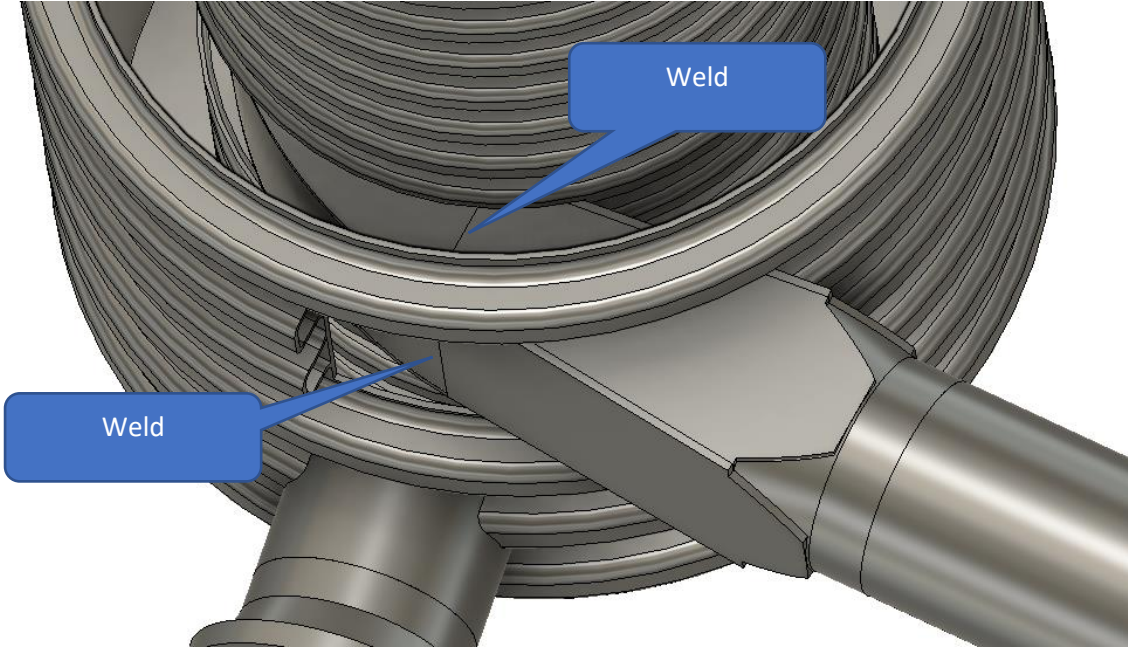


(5) Build inlet nozzle

200 – 160 mm reducer with sides cut off on a bandsaw

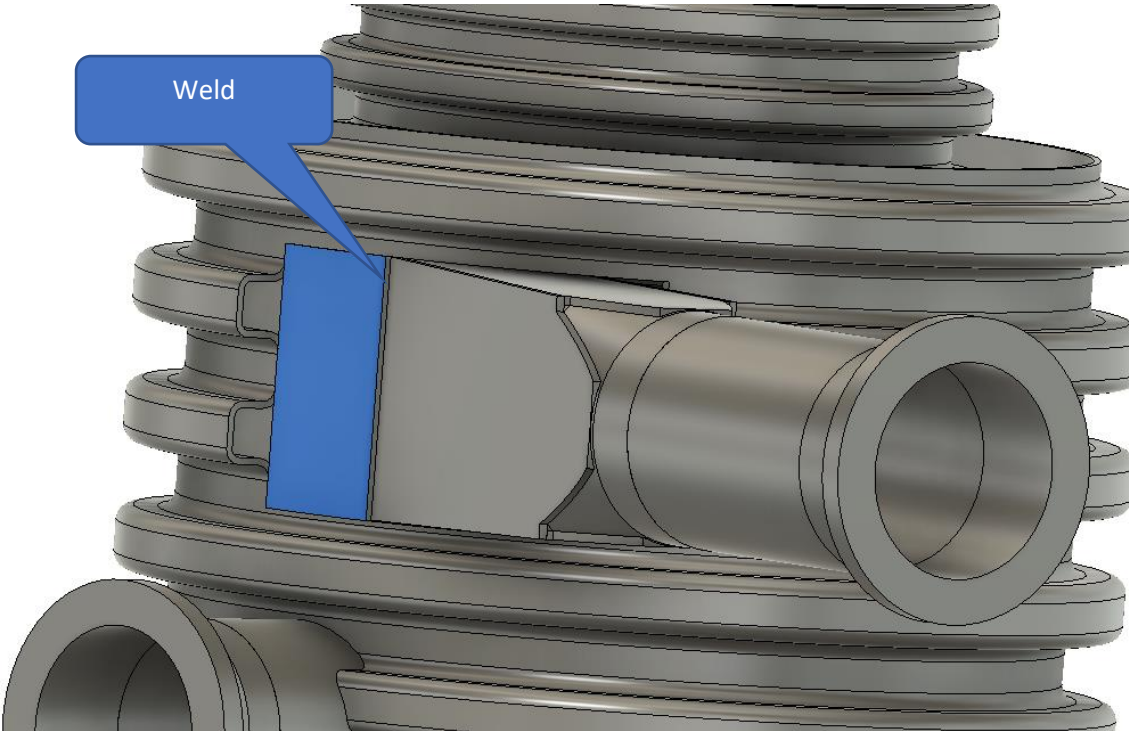


(6) Weld inlet nozzle onto lower assembly (note cut-out to provide access)



n.b connection to inner tube does not need to be water-tight.

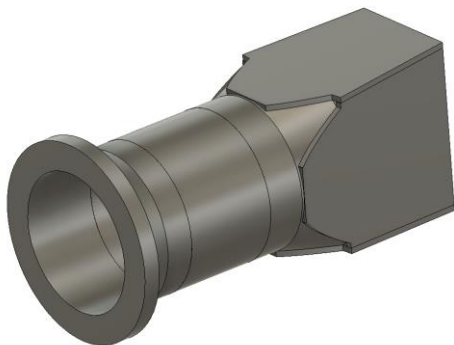
(7) Replace access plate



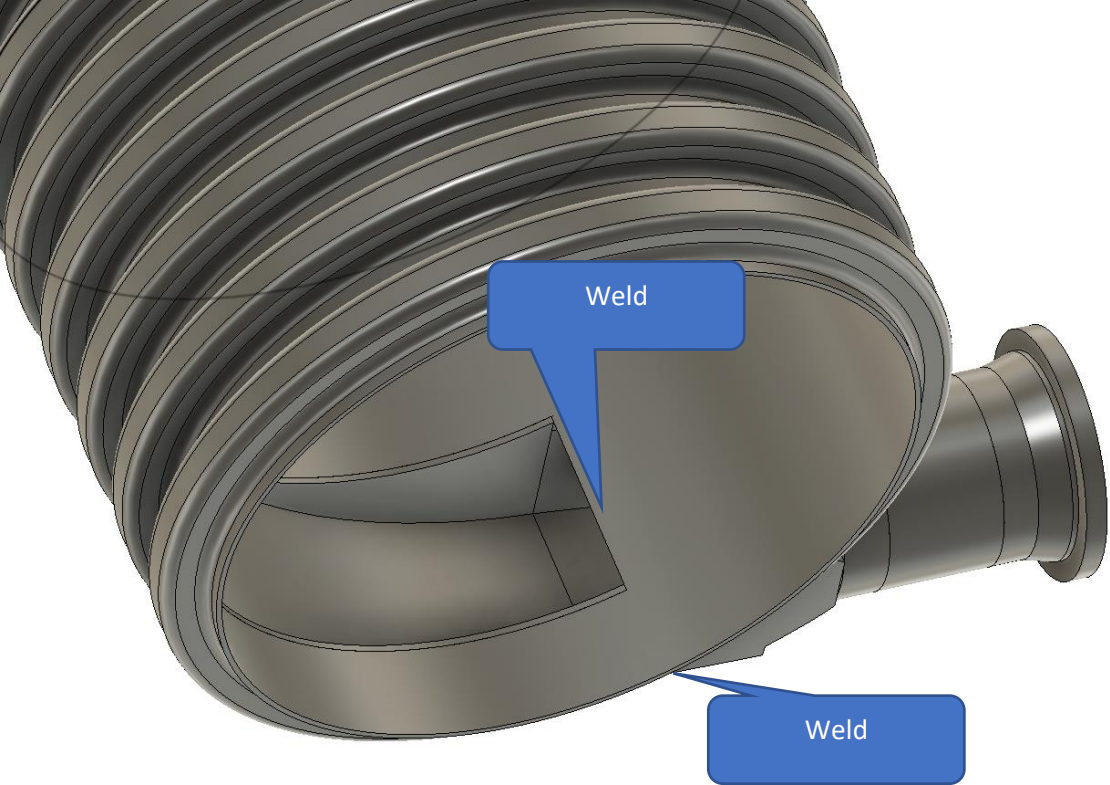
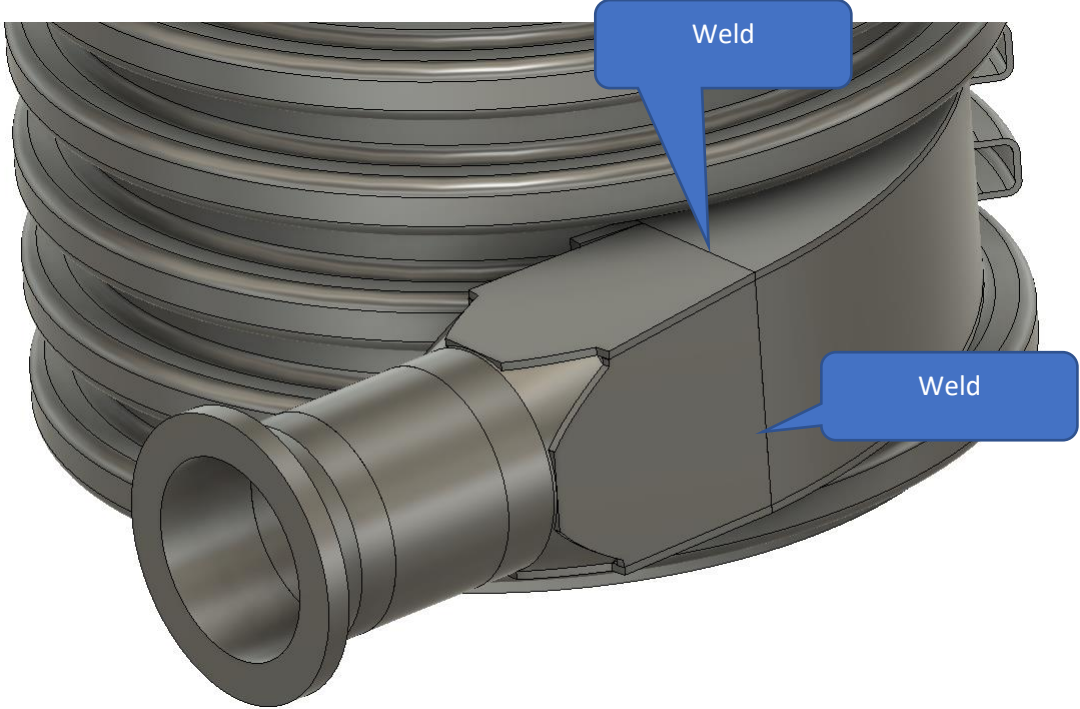
(8) Weld scroll plates to upper section



(9) Build outlet nozzle (very similar to inlet, just slightly wider).



(10). Weld outlet nozzle onto upper section



(11) Weld upper and lower sections together

